

**THE PEEL AMATEUR
RADIO CLUB INC.**

FLEA MARKET

RADIO - COMPUTER - ELECTRONIC EQUIPMENT

SATURDAY MARCH 4TH, 1989

**TIMES: VENDORS SETUP 7:30 A.M.-9:00 A.M.
GENERAL ADMISSION 9:00 A.M. ONWARD**

**NORTH PEEL SECONDARY SCHOOL
1305 WILLIAMS PKWY.
BRAMALEA, ONTARIO**

ADMISSION: \$3.00

**NO WEATHER PROBLEM - ALL SPACE INSIDE
COFFEE, SOFT DRINKS, SANDWICHES, ETC. WILL BE AVAILABLE**

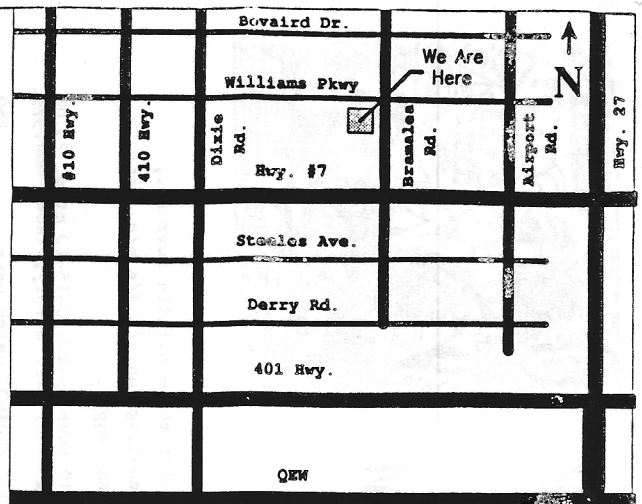
**VENDOR: FLEA MARKET VENDOR \$5.00 /6' TABLE + ADMISSION
COMMERCIAL VENDOR \$10.00 /6' TABLE + ADMISSION**

ALL TABLES SUPPLIED BY P.A.R.C.

ORDER SPACE EARLY FROM:

**P.A.R.C. FLEA MARKET
29 Hillbank Trail
Bramalea, Ontario
L6S 1P6
James L. McMurray VE3BDI - - - (416) 458-0505**

TALK IN VE3PRC 146.880 - 600 kHz



Lake Ontario

**From Hwy. 401
North on Dixie Rd. or Hwy. 410 to Williams Pkwy.
East On Williams Pkwy. To Bramalea Rd.**

FROM THE BULLETIN BOARDS.

If you have any short items you would like included in this column - give Gordon, VE3JSJ (575-3647) a call!

FROM CARF:

CARF has been told by Communications Canada (DOC) that there are no plans to increase the Amateur service licence fees this coming April 1989, but that increases in licence fees for other radio services are being considered. At the moment no increase is foreseen for Amateur licenses beginning April 1990 but this could change depending on many variables.

The DOC intends to replace the existing RIC-1 with a new RIC which will provide criteria for all portions of Amateur examinations, theory, code tests and regulations, to be conducted by certified Advanced Amateurs. Clubs with training programs should consider having at least one member available to be certified by DOC, when the new RIC is released this year.

Ralph, VE3BBM, notes that the Carlson-Thyrocon EMS-220 Exterior Motion Sensors distributed by some CDN Dept. Stores appear to be susceptible to low level 2 metre signals, which can burn them out. This is being investigated, but check out your infra-red detectors to make sure they are operating properly. More details in a future "Crosswaves" column.

There are reports from Amateurs Coast-to-Coast of serious interference by illicit stations in the 10 metre band. The frequency of 28.290 as a National calling frequency is affected as is the segment below 28.300 used by many Canadians. CARF is very concerned about this problem and would appreciate usable reports that can be co-ordinated and presented to the authorities for action. Your attention is drawn to Radio Shack stores in USA, which are selling Radio Shack HTX-100, a new 10 metre mobile SSP/CW Transceiver for US\$259.95 - a great rig for unlicensed operators.

FROM CRRL

According to an Associated Press report, Morse code and radio operators that use it will be eliminated from ocean-going ships by the end of this century. They will be replaced with a new "Global Maritime Distress and Safety System" which will transmit and receive messages automatically and allow a ship's crew to send a distress signal by simply pressing a button. The decision to change, which was strongly opposed by members of the Maritime Radio Officers' Union, was made last November 11 during a two-week conference of the International Maritime Organization in London. This is a United Nations agency for the safety of shipping and preventing pollution at sea. Shipowners are expected to begin phasing in the new system in 1993. It will be compulsory on ships worldwide by 1999. A spokesman said: "Morse code has great romantic connotations with the gallant radio operator sending off distress calls as the ship sinks. But we are bringing in something that will be much better and which should save more lives."

Donations by several manufacturers and distributors of Amateur Radio equipment made it possible for ARRL to send six VHF packet stations to earthquake-stricken Soviet Armenia. The stations were requested by Leo Labutin, UA3CR, well known in

1988 MONTHLY BUDGET TOTALS FOR THE HAMILTON AMATEUR RADIO CLUB

BASED ON EXPENSES FOR 1988 (DATE OF LAST ENTRY: 01/01/89)

ACCOUNT NAMES	JAN	FEB	MAR	APR	MAY	JUN	JUL	AUG	SEP	OCT	NOV	DEC
Membership	1500	400	200	100	25	0	0	0	0	0	0	0
Misc. Income	0	0	0	0	0	0	0	0	0	1900	0	0
TOTAL INCOME	1500	400	200	100	25	0	0	0	0	1900	0	0

EXPENSE ACCOUNTS - MONTHLY BUDGETS

ACCOUNT NAMES	JAN	FEB	MAR	APR	MAY	JUN	JUL	AUG	SEP	OCT	NOV	DEC
Health & Welfare	5	5	5	5	5	5	5	5	5	5	5	5
Awards/Trophy Exp	2	2	2	2	2	2	2	2	2	2	2	2
Speaker Stipends	10	10	10	10	10	10	10	10	10	10	10	10
Meeting Refreshm't	15	15	15	15	15	15	15	15	15	15	15	15
Advertising/Promo	12	12	12	12	12	12	12	12	12	12	12	12
Field Day Expenses	0	0	0	0	50	150	0	0	0	0	0	0
Travel/Entertainmt	0	0	0	0	0	0	0	0	0	0	0	400
Licenses	0	0	0	60	0	0	0	0	0	0	0	0
Bulletin Supplies	80	80	80	80	80	80	80	80	80	80	80	80
Office Supplies	4	4	4	4	4	4	4	4	4	4	4	4
Postage	65	65	65	65	65	65	65	65	65	65	65	65
Telephone	16	16	16	16	16	16	16	16	16	16	16	16
Gen'l Repair/Maint	2	2	2	2	2	2	2	2	2	2	2	2
Rp'tr Maint. VE3NCF	10	10	10	10	10	10	10	10	10	10	10	10
Insurance	30	30	30	30	30	30	30	30	30	30	30	30
Rent Paid	13	13	13	13	13	13	13	13	13	13	13	13
Service/Check Chgs	4	4	4	4	4	4	4	4	4	4	4	4
TOTAL EXPENSE	269	269	269	349	339	439	439	269	269	269	269	666
NET INCOME	1211	111	-89	-249	-314	-439	-269	-269	-269	1611	-269	-666

TOTAL BUDGET/INCOME = \$4125.00 (it balances!).

NOTES:

- Although the amounts above reflect monthly totals, actual expenditures may be spread differently.
- Some items which are shown spread out over the year will, in fact, be paid in a lump sum; insurance is an example.
- All items based on 1988 actual expenditures and membership levels rounded to the nearest dollar.

H.A.R.C. REPEATER VE3NCF 146.76/16.

We are grateful to Mike VE3JTO and to the Repeater committee for the work they are doing on our club repeater VE3NCF. Projects underway include the following:

- * Battery backup and charging system design and development (VE3OCY Don assisting);
- * Elimination of the interference between 447.100 MHz transmitter and 449.075 MHz receiver;
- * 146.160 MHz intermodulation problem (Department of Communications has provided assistance);
- * Access to VE3NCF autopatch from VE3RPT link system;
- * Feasibility study of relocation of the current VE3NCF 2 meter repeater;
- * Preliminary study of the idea of the installation of remote receivers for VE3NCF 2 meter repeater;
- * Preparation of an updated list of equipment and its replacement cost currently installed at the repeater site;
- * User documentation package for the available functions on VE3NCF.

GUIDES ON THE AIR GOTA GUIDES ON THE AIR GOTA GUIDES ON THE AIR

It's that time again. It's hard to believe that this is the 5th Annual International Guides On The Air (GOTA). And YES, it is the same date as the United Kingdom GOTA! The dates are FEBRUARY 18-19, 1989.

The only change in our Guidelines is that the frequencies listed will be used as "CALLING FREQUENCIES". The CALLING FREQUENCIES ARE:

3.775 7.150 14.133 & 14.288 21.288 28.488

Make skeuds if possible but allow for other QSOS. Don't spread out too far. We want to find each other. Be considerate.

**THE PEEL AMATEUR
RADIO CLUB INC.**

FLEA MARKET

RADIO - COMPUTER - ELECTRONIC EQUIPMENT

SATURDAY MARCH 4TH, 1989

TIMES: VENDORS SETUP 7:30 A.M.-9:00 A.M.
GENERAL ADMISSION 9:00 A.M. ONWARD

**NORTH PEEL SECONDARY SCHOOL
1305 WILLIAMS PKWY.
BRAMALEA, ONTARIO**

ADMISSION: \$3.00

**NO WEATHER PROBLEM - ALL SPACE INSIDE
COFFEE, SOFT DRINKS, SANDWICHES, ETC. WILL BE AVAILABLE**

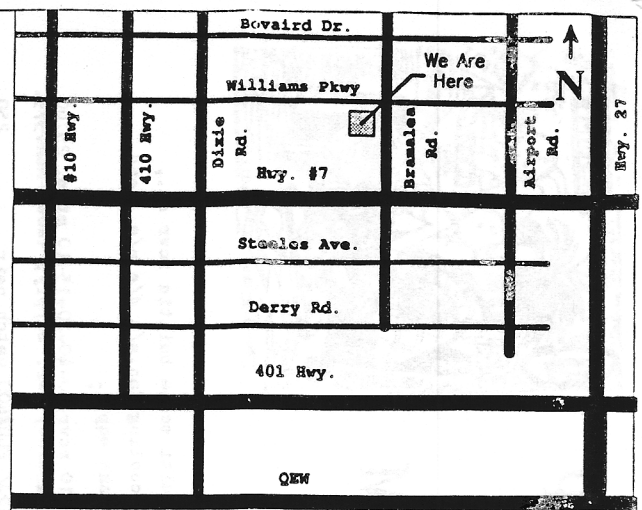
**VENDOR: FLEA MARKET VENDOR \$5.00 /6' TABLE + ADMISSION
COMMERCIAL VENDOR \$10.00 /6' TABLE + ADMISSION**

ALL TABLES SUPPLIED BY P.A.R.C.

ORDER SPACE EARLY FROM:

**P.A.R.C. FLEA MARKET
29 Hillbank Trail
Bramalea, Ontario
L6S 1P6
James L. McMurray VE3BDI - - - (416) 458-0505**

TALK IN VE3PRC 146.880 -600 kHz



Lake Ontario

**From Hwy. 401
North on Dixie Rd. or Hwy. 410 to Williams Pkwy.
East on Williams Pkwy. To Bramalea Rd.**

FROM THE BULLETIN BOARDS.

If you have any short items you would like included in this column - give Gordon, VE3JSJ (575-3647) a call!

FROM CARF:

CARF has been told by Communications Canada (DOC) that there are no plans to increase the Amateur service licence fees this coming April 1989, but that increases in licence fees for other radio services are being considered. At the moment no increase is foreseen for Amateur licenses beginning April 1990 but this could change depending on many variables.

The DOC intends to replace the existing RIC-1 with a new RIC which will provide criteria for all portions of Amateur examinations, theory, code tests and regulations, to be conducted by certified Advanced Amateurs. Clubs with training programs should consider having at least one member available to be certified by DOC, when the new RIC is released this year.

Ralph VE3BBM, notes that the Carlton-Thyroccon EMS-220 Exterior Motion Sensors distributed by some CDN Dept. Stores appear to be susceptible to low level 2 metre signals, which can burn them out. This is being investigated, but check out your infra-red detectors to make sure they are operating properly. More details in a future "Crosswaves" column.

There are reports from Amateurs Coast-to-Coast of serious interference by illicit stations in the 10 metre band. The frequency of 28.230 as a National calling frequency is affected as is the segment below 28.300 used by many Canadians. CARF is very concerned about this problem and would appreciate usable reports that can be co-ordinated and presented to the authorities for action. Your attention is drawn to Radio Shack stores in USA, which are selling Radio Shack HTX-100, a new 10 metre mobile SSB/CW Transceiver for US\$259.95 - a great rig for unlicensed operators.

FROM CRRL

According to an Associated Press report, Morse code and radio operators that use it will be eliminated from ocean-going ships by the end of this century. They will be replaced with a new "Global Maritime Distress and Safety System" which will transmit and receive messages automatically and allow a ship's crew to send a distress signal by simply pressing a button. The decision to change, which was strongly opposed by members of the Maritime Radio Officers' Union, was made last November 11 during a two-week conference of the International Maritime Organization in London. This is a United Nations agency for the safety of shipping and preventing pollution at sea. Shipowners are expected to begin phasing in the new system in 1993. It will be compulsory on ships worldwide by 1999. A spokesman said: "Morse code has great romantic connotations with the gallant radio operator sending off distress calls as the ship sinks. But we are bringing in something that will be much better and which should save more lives."

Donations by several manufacturers and distributors of Amateur Radio equipment made it possible for ARRL to send six VHF packet stations to earthquake-stricken Soviet Armenia. The stations were requested by Leo Labutin, UR3CR, well known in

1989 MONTHLY BUDGET TOTALS FOR THE HAMILTON AMATEUR RADIO CLUB

BASED ON EXPENSES FOR 1988 (DATE OF LAST ENTRY: 01/01/89)

ACCOUNT NAMES	JAN	FEB	MAR	APR	MAY	JUN	JUL	AUG	SEP	OCT	NOV	DEC
Membership (Current Year)	1500	400	200	100	25	0	0	0	0	0	0	0
Misc. Income	0	0	0	0	0	0	0	0	0	1900	0	0
TOTAL INCOME	1500	400	200	100	25	0	0	0	0	1900	0	0

EXPENSE ACCOUNTS - MONTHLY BUDGETS

ACCOUNT NAMES	JAN	FEB	MAR	APR	MAY	JUN	JUL	AUG	SEP	OCT	NOV	DEC
Health & Welfare	5	5	5	5	5	5	5	5	5	5	5	5
Awards/Trophy Exp	2	2	2	2	2	2	2	2	2	2	2	2
Speaker Stipends	10	10	10	10	10	10	10	10	10	10	10	10
Meeting Refreshment	15	15	15	15	15	15	15	15	15	15	15	15
Advertising/Promo	12	12	12	12	12	12	12	12	12	12	12	12
Field Day Expenses	0	0	0	0	50	150	0	0	0	0	0	0
Travel/Entertainmt	0	0	0	0	0	0	0	0	0	0	0	400
Licenses	0	0	0	60	0	0	0	0	0	0	0	0
Bulletin Supplies	80	80	80	80	80	80	80	80	80	80	80	80
Office Supplies	4	4	4	4	4	4	4	4	4	4	4	1
Postage	85	85	85	85	85	85	85	85	85	85	85	85
Telephone	18	18	18	18	18	18	18	18	18	18	18	18
Gen 1 Repair/Maint	2	2	2	2	2	2	2	2	2	2	2	2
Rpt'r Maint. VE3NCF	10	10	10	10	10	10	10	10	10	10	10	10
Insurance	30	30	30	30	30	30	30	30	30	30	30	30
Rent Paid	13	13	13	13	13	13	13	13	13	13	13	13
Service/Check Chgs	4	4	4	4	4	4	4	4	4	4	4	4
TOTAL EXPENSE	289	289	289	349	339	439	439	289	289	289	289	686
NET INCOME	1211	111	-89	-249	-314	-439	-269	-289	-289	1611	-289	-686

TOTAL BUDGET/INCOME = \$4125.00 (if balances!).

NOTES:

1. Although the amounts above reflect monthly totals, actual expenditures may be spread differently.
2. Some items which are shown spread out over the year will, in fact, be paid in a lump sum; insurance is an example.
3. All items based on 1988 actual expenditures and membership levels rounded to the nearest dollar.

H.A.R.C. REPEATER VE3NCF 146.76/16.

We are grateful to Mike VE3JTO and to the Repeater committee for the work they are doing on our club repeater VE3NCF. Projects underway include the following:

- * Battery backup and charging system design and development (VE3OCY Don assisting);
- * Elimination of the interference between 447.100 MHz transmitter and 449.075 MHz receiver;
- * 146.160 MHz intermodulation problem (Department of Communications has provided assistance);
- * Access to VE3NCF autopatch from VE3RPT link system;
- * Feasibility study of relocation of the current VE3NCF 2 meter repeater;
- * Preliminary study of the idea of the installation of remote receivers for VE3NCF 2 meter repeater;
- * Preparation of an updated list of equipment and its replacement cost currently installed at the repeater site;
- * User documentation package for the available functions on VE3NCF.

GUIDES ON THE AIR GOT A GUIDES ON THE AIR GOT A GUIDES ON THE AIR

It's that time again. It's hard to believe that this is the 5th Annual International Guides On The Air (GOTA). And YES, it is the same date as the United Kingdom GOTA! The dates are FEBRUARY 18-19, 1989.

The only change in our Guidelines is that the frequencies listed will be used as "CALLING FREQUENCIES". The CALLING FREQUENCIES ARE:

3.775 7.150 14.133 & 14.288 21.288 28.488

Make skeds if possible but allow for other QSOs. Don't spread out too far. We want to find each other. Be considerate.

Well, the distasteful task of addressing a dues increase is now behind us. The vast majority of members voted to accept the \$5 increase. I sincerely hope this decision doesn't create problems for any of you. The budget for 1989 is included elsewhere in the bulletin, so you can have the opportunity to see where that money is going. Let your executive committee know if you have any objections or concerns. If you feel strongly about this or any subject which comes up in the course of club business, please take the opportunity to state your case or, better yet, get directly involved in the running of the club: run for an executive board position or volunteer to help or head a committee. We are still looking for a new awards chairman.

Speaking of volunteer efforts, I'd like to take this opportunity to thank Glenn Gibson, VE3FHQ, for his efforts in putting together a class for basic Amateur Radio. He has organized a group of hams who are willing to rotate teaching duties for a class to be held at the Red Cross Building once a week. Current plans call for 2 or 3 hours of instruction each Thursday evening from now until about May (or later if necessary). Unfortunately, space is limited to around 10, so if you are interested call Glenn or myself for anyone on the HARC board - phone numbers are on the front of the bulletin) for latest details. Last I heard, VE3CIB was going to take the first evening (which will be over by the time you read this). If you would be interested in passing on some of your knowledge and experience for a couple of hours some evening, call Glenn and let him know when and what you would like to cover; help out some aspiring new hams-to-be! Even if you already have your licence but are interested in enhancing your knowledge, come out and take part. I learned when I was teaching that the teacher learns the most...

On another topic, we have recently been asked by another club in the area if we would provide them with a HARC membership list. To date we have not yet answered; our executive committee feels that you, the membership, should have a say in whether or not your name, call and address are released. If you DO NOT want your information released, please call Gordon Murray, VE3DSJ (membership chairman - Tel: 575-3647) and let him know; your name will be marked to prevent it from being used for any purpose outside the Hamilton Amateur Radio Club. If Gord (or any member of the executive committee) hasn't heard from you by the end of February, we will assume you have NO objection to release of your information.

If you have not yet joined the club for 1989, you will notice a stamp on your bulletin in March indicating it is the last one you will receive. No organization is perfect, so if you get this notice on your bulletin and have already paid your 1989 membership, please give Gordon a call and let him know about our mistake. You might just take a moment now and check the date on your mailing label on the envelope in which this bulletin arrived. If there is an '89' on it, our records show you have paid; if, on the other hand, it says 'M89', our records show you haven't paid. Please keep us honest! While on the subject of membership, I would like to welcome the following new members to the HARC: Roger Weiss - VE3ATW, Leonard Else - VE3OZH, SW's Ken Gibson, Angus MacMillan, Guy Gillyatt and Brian Provost. A Warm welcome to all of you and if I haven't mentioned your name, apologies! Next month I would like to describe to you a way in which you can contribute letters, articles, etc. to the bulletin with little effort and pain; all with the aid of amateur radio equipment (and a boost from computer technology!).

See you at the Nash Auditorium on 15 February--

Dave, VE3HTC

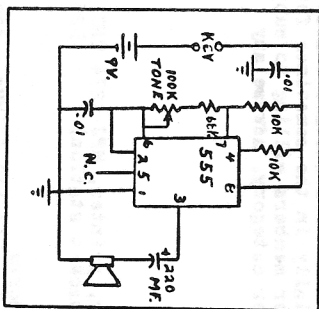
TECH TOPICS

CODE PRACTICE OSCILLATOR

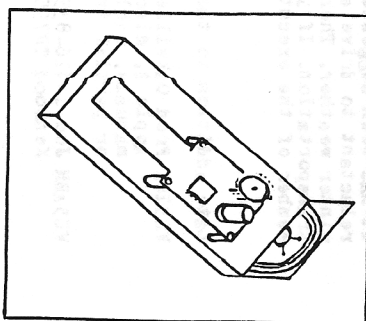
Here is a simple project which can be built in an evening and should be helpful to members of the Candidates for License Class. Total cost should be under \$10 with materials purchased from local suppliers. Two versions of this unit were built for students last year and are still giving satisfactory service. Printed circuit board is sufficiently flexible that it can be used to make a key for the oscillator. A picture of such a unit appears in the 1986 ARRL Handbook on page 36-6. This was used as the model for units built locally.

The oscillator uses the reliable 555 integrated circuit which helps to keep parts to a minimum. The beginner in electronics would be wise to use a socket for the IC to avoid damage to the IC during soldering.

The completed unit can be mounted on a wooden base large enough to give stability when sending.



SCHEMATIC DIAGRAM



PICTORIAL VIEW

CODE PRACTICE OSCILLATOR -

WORKED ALL BRITAIN AWARDS

There is a set of ten awards which can be earned by working British stations located in areas based on 10 km x 10 km squares of the map of Great Britain. Contact the Membership Secretary, Brian Morris G4KSO, 22 Burdell Avenue, Sandhills Estate, Readington, Oxford OX3 8EP, England, if you want full details. QSL cards are NOT needed but a special claims form available from G4KSC MUST be used.